

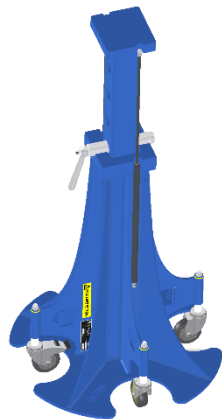
Jack Stands for Great Loads 20-50,000 kg

A safe solution for heavy vehicles and objects

Jack stands för heavy loads and industrial use

Dendro Lift

Dendro Lift is a Swedish company which has been manufacturing reliable and robust lifting jacks for heavy vehicles and industrial applications since the 1970's. We've been manufacturing related appliances, such as jackstands, as well during this time. Our products are known for great flexibility and a long lifespan combined with high safety and the right price.



Areas of use

- Train workshops
- Mining vehicles
- Heavy vehicles
- Industrial lifting

Complementary products

- Top plates
- Jack stands 3 legs 8-20,000 kg
- Jack stands 4 legs 8-20,000 kg
- Customized jack stands

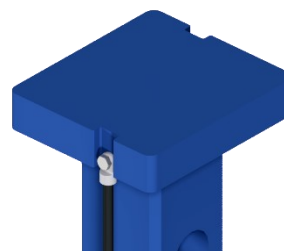
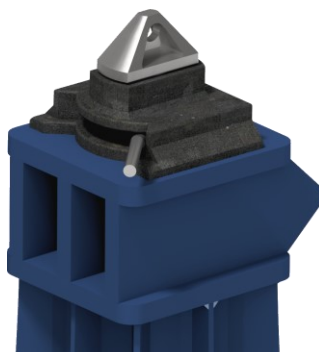
Jack Stands for Great Loads 20–50,000 kg

Dendro's jack stands are extremely robust yet easy to maneuver. This is thanks to their spring-loaded wheels which automatically retract when the jack stand is in use. The wheels are supplied with lockable breaks. Gas spring is available as an option, since the shaft can get heavy depending on version.



Customized top plates

The top plate might have to be customized to the load it's supposed to handle. Because of this, they are possible to order as special designs.



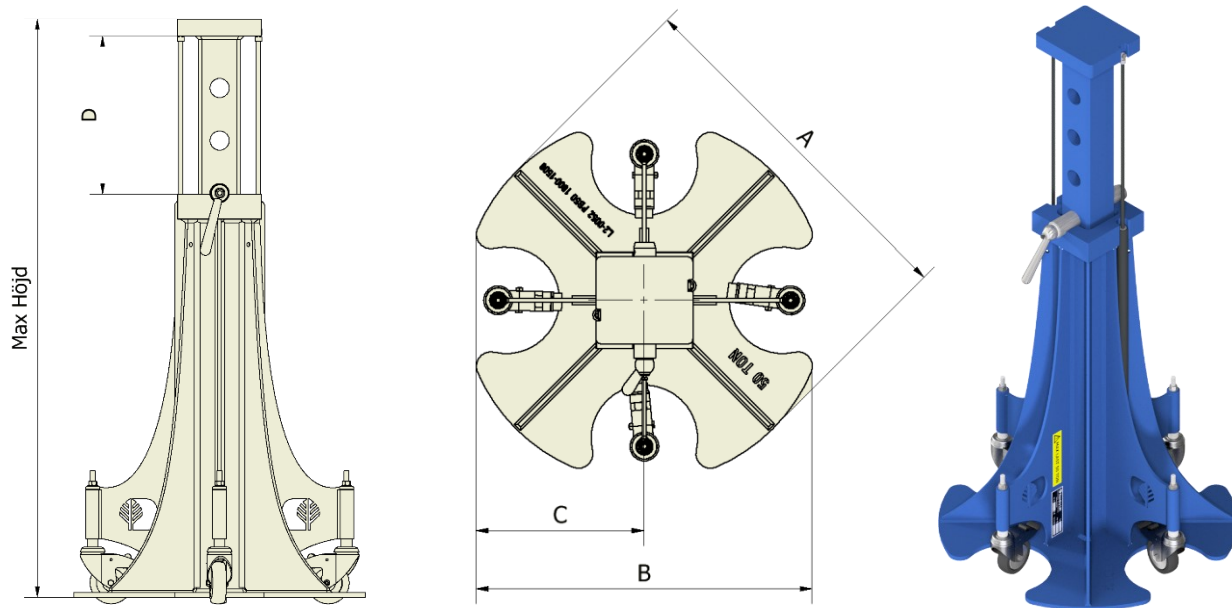
Maintenance

We guarantee our customers a long and problem-free usage of our products through our well-developed service and spare part organization.

Safety first

Safety was the guiding star when developing Dendro jack stands. Because of this, our jack stands are manufactured in accordance to AFS 1998:8. This means that they are tested with 1,6 x the stated load, their heights are below 4,5 x tipping radius and has a floor pressure below 2MPa. The jack stands are equipped with a permanent marker for maximum load and are CE-certified.





Technical data

Name	Min Height [mm]	Max Height [mm]	A [mm]	B [mm]	C [mm]	D [mm]	Weight * PB20 [kg]	Weight * PB30 [kg]	Weight * PB50 [kg]
PBx 400-700 F4	450	700	645	600	300	250	103	107	118
PBx 500-800 F4	500	800	645	600	300	300	109	113	125
PBx 500-900 F4	550	900	645	600	300	350	111	121	132
PBx 600-1000 F4	600	1000	645	600	300	400	116	125	136
PBx 700-1200 F4	700	1200	645	600	300	500	135	145	154
PBx 1000-1500 F4	1000	1500	707	667	333	500	183	194	211

* With smooth top plate and wheels

Order number

Name	PB20	PB30	PB50
PBx 400-700 F4	L2-0361	L2-0371	L2-0381
PBx 500-800 F4	L2-0362	L2-0372	L2-0382
PBx 500-900 F4	L2-0363	L2-0373	L2-0383
PBx 600-1000 F4	L2-0364	L2-0374	L2-0384
PBx 700-1200 F4	L2-0365	L2-0375	L2-0385
PBx 1000-1500 F4	L2-0366	L2-0376	L2-0386

x = Max load [ton/thousand kg] 20, 30 and 50. Example: PB10-6-10-F4. Bigger and smaller are possible.

Other Versions of Jack Stands

Our jack stands are available in a variety of special designs. Versions could be customized for objects with an odd form, very heavy loads, very big loads and/or high/low standing heights. They are deliverable in custom colors.

